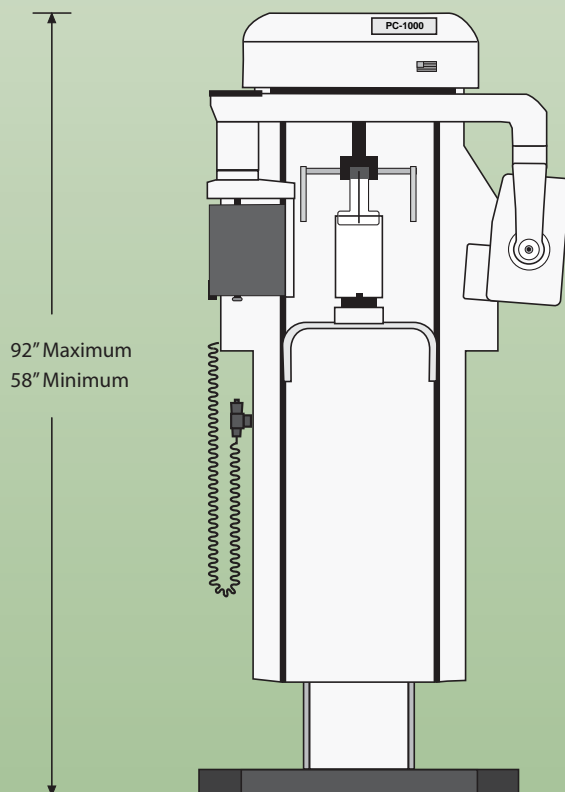
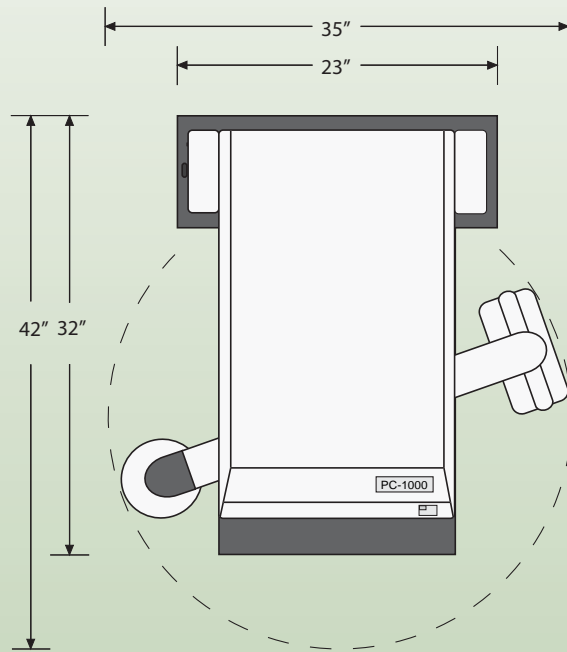


PC-1000



■ Specifications

Completely Free Standing

Physical Dimensions: 42" x 35"

Recommended Minimum
Working Space: 48" x 48"

Focal Spot: 0.5mm x 0.5mm

Focal Trough:
Anterior Region - 12mm
Posterior Region - 41mm

Rated kVp: 70-90

Tube Current: 6 mA

Power Requirements:
115 V, 20 Amp Dedicated Service

Exposure Time: 12 Seconds

Film Size:
6" x 12" (PAN and TMJ)

Weight: 485 lbs.

Maximum Height: 92"

■ Space Requirements

Physical Dimensions: 42" x 35"

Recommended Working Space: 48" x 48"

■ Electrical Requirements

115 Volt Grounded Outlet

20 Amp Service