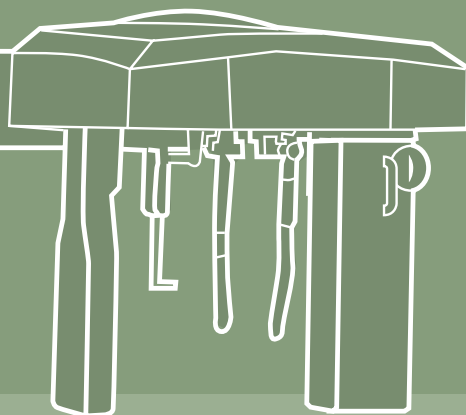
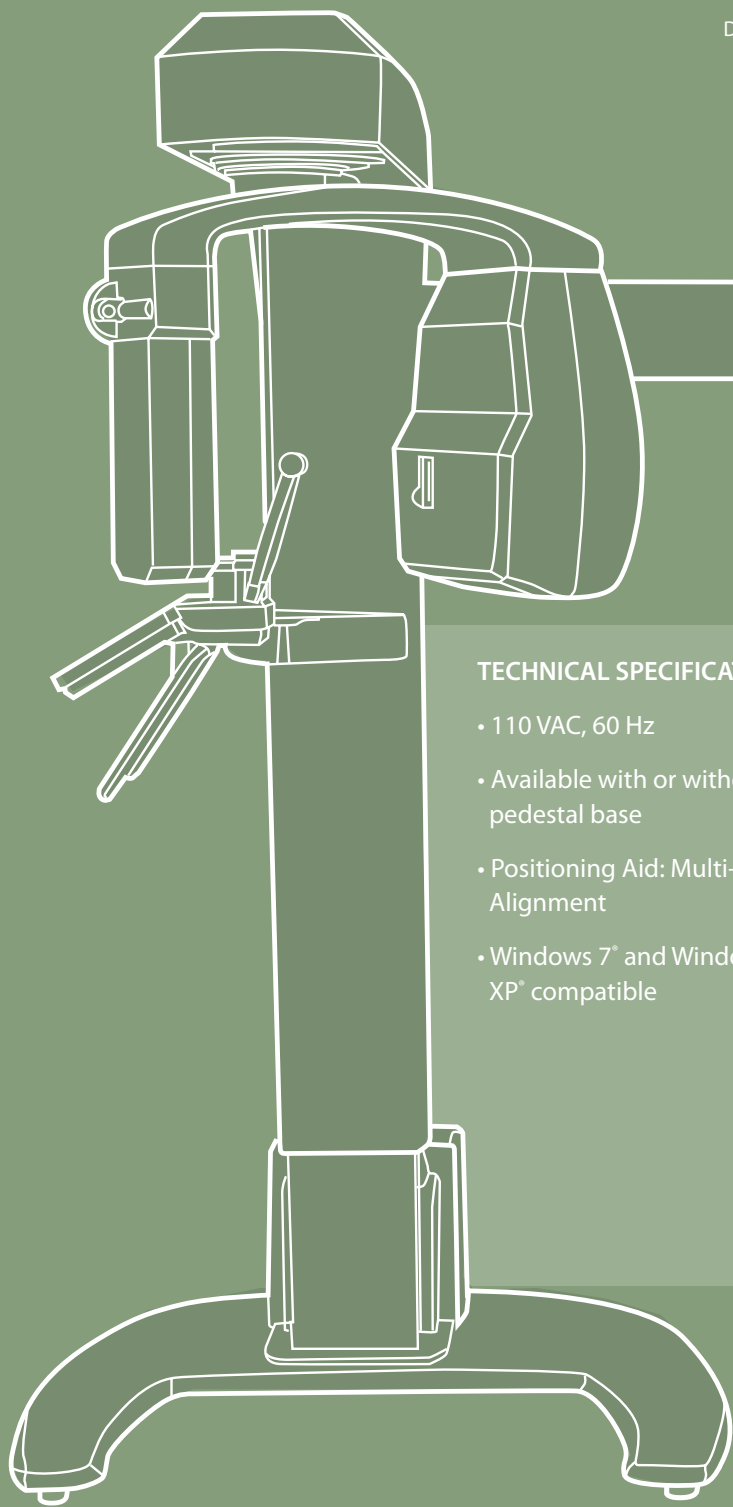


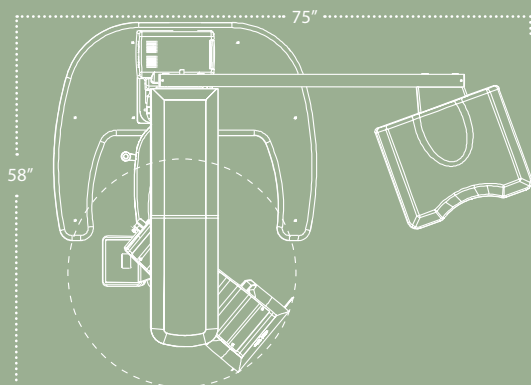
encompass™

Digital Panoramic/Cephalometric Imaging System



TECHNICAL SPECIFICATIONS

- 110 VAC, 60 Hz
- Available with or without pedestal base
- Positioning Aid: Multi-Laser Alignment
- Windows 7® and Windows XP® compatible



Room Specifications:

- Recommended working space 6' x 8'



Panoramic Corporation
4321 Goshen Road
Fort Wayne, IN 46818
800-654-2027
www.pancorp.com